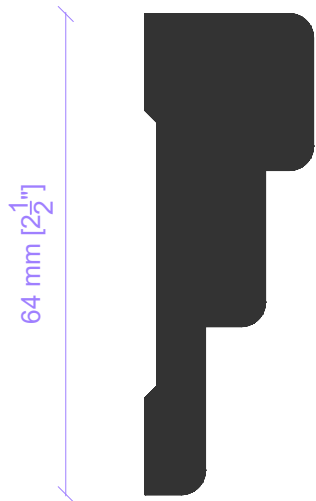


22 mm [ $\frac{7}{8}$ "]



64 mm [ $2\frac{1}{2}$ "]

AP264

1:1 on A4

[www.woodchoose.com](http://www.woodchoose.com)

Title:

AP264

Ref: